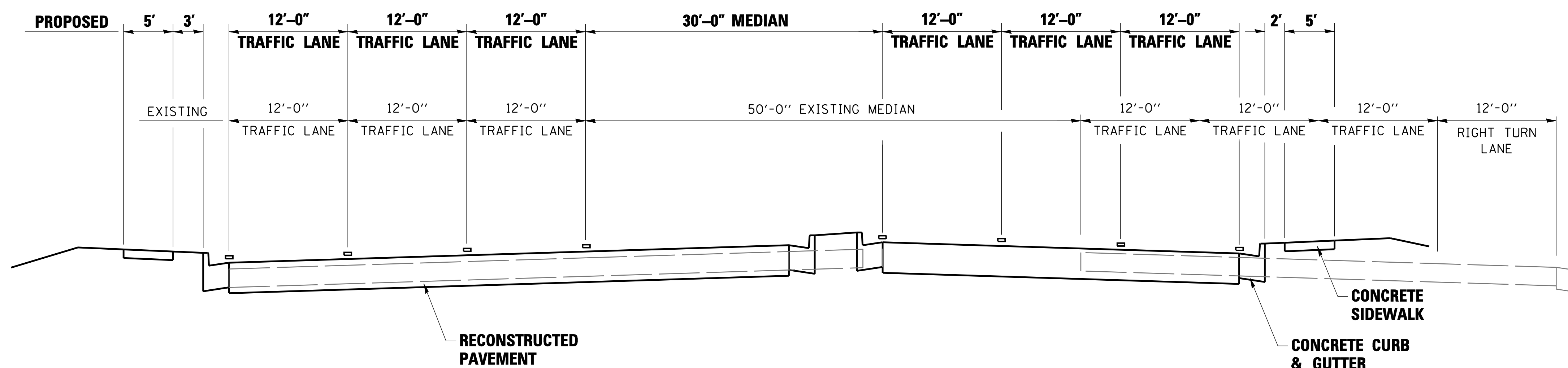


**SOUTH SIXTH STREET
EXISTING / PROPOSED ROADWAY SECTION**
NORTH OF APPLE ORCHARD ROAD INTERSECTION
(LOOKING NORTH)

A-1

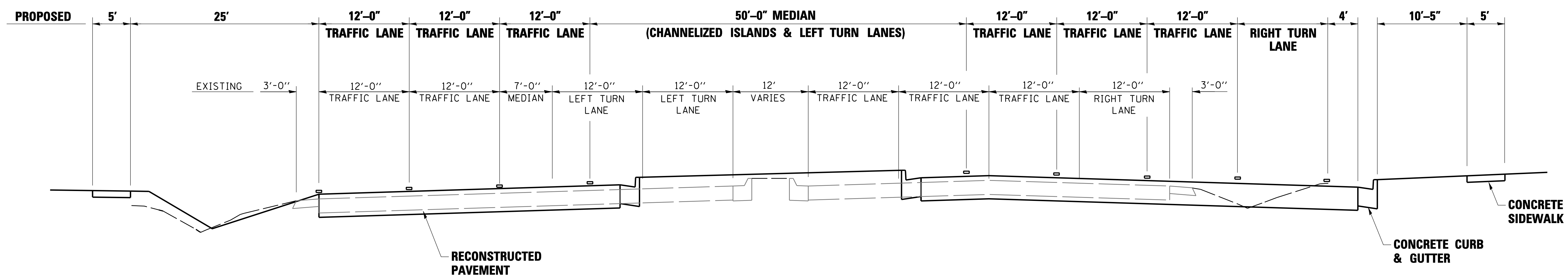
FILE NAME = \$FILEL\$	USER NAME = \$USER\$	DESIGNED - CMT DRAWN - CMT		STATE OF ILLINOIS DEPARTMENT OF TRANSPORTATION	SOUTH SIXTH STREET EXPANSION STUDY EXISTING / PROPOSED ROADWAY SECTION	F.A. RTE. BL55	SECTION	COUNTY SANGAMON	TOTAL SHEETS	SHEET NO.
PLOT SCALE = \$SCALE\$	CHECKED - IDOT	CONTRACT NO.				ILLINOIS FED. AID PROJECT				
PLOT DATE = \$DATE\$	DATE - 11/9/2011	SCALE:				SHEET NO.	OF SHEETS	STA. TO STA.		



**SOUTH SIXTH STREET
EXISTING / PROPOSED ROADWAY SECTION**
NORTH OF APPLE ORCHARD ROAD INTERSECTION
(LOOKING NORTH)

A-2

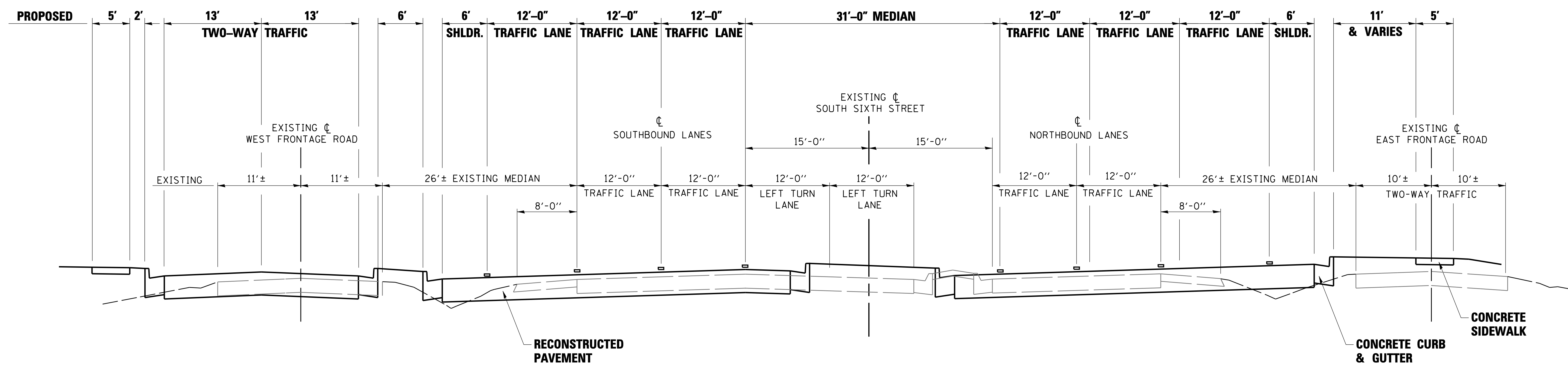
FILE NAME = \$FILEL\$	USER NAME = \$USER\$	DESIGNED - CMT DRAWN - CMT		STATE OF ILLINOIS DEPARTMENT OF TRANSPORTATION	SOUTH SIXTH STREET EXPANSION STUDY EXISTING / PROPOSED ROADWAY SECTION	F.A. RTE. BL55	SECTION	COUNTY SANGAMON	TOTAL SHEETS	SHEET NO.
PLOT SCALE = \$SCALE\$	CHECKED - IDOT	CONTRACT NO.				ILLINOIS FED. AID PROJECT				
PLOT DATE = \$DATE\$	DATE - 11/9/2011	SCALE:				SHEET NO.	OF SHEETS	STA.	TO STA.	



**SOUTH SIXTH STREET
EXISTING / PROPOSED ROADWAY SECTION**
NORTH OF STEVENSON DRIVE INTERSECTION
(LOOKING NORTH)

B

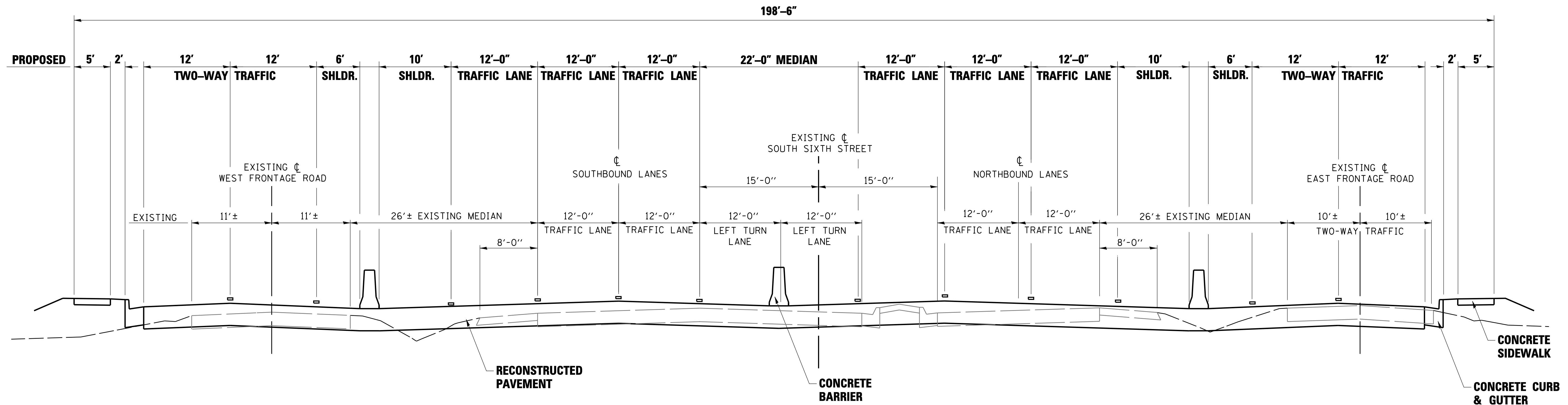
FILE NAME = \$FILEL\$	USER NAME = \$USER\$	DESIGNED - CMT DRAWN - CMT		STATE OF ILLINOIS DEPARTMENT OF TRANSPORTATION	SOUTH SIXTH STREET EXPANSION STUDY EXISTING / PROPOSED ROADWAY SECTION	F.A. RTE. BL55	SECTION	COUNTY SANGAMON	TOTAL SHEETS 1	SHEET NO. 1		
PLOT SCALE = \$SCALE\$	CHECKED - IDOT	CONTRACT NO.				ILLINOIS FED. AID PROJECT						
PLOT DATE = \$DATE\$	DATE - 11/9/2011	SCALE:				SHEET NO.	OF SHEETS	STA.	TO STA.			



**SOUTH SIXTH STREET
EXISTING / PROPOSED ROADWAY SECTION**
NORTH OF LINCOLNSHIRE BOULEVARD INTERSECTION
(LOOKING NORTH)

C-1

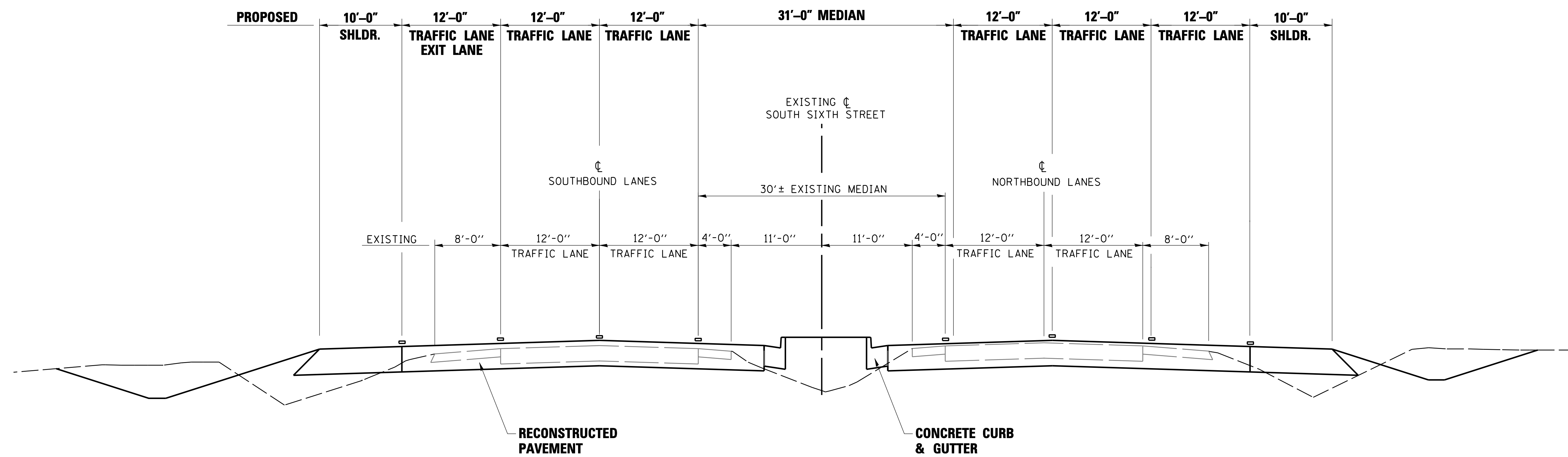
FILE NAME = \$FILEL\$	USER NAME = \$USER\$	DESIGNED - CMT DRAWN - CMT	CMT CRAWFORD, MURPHY & TILLY, INC. CONSULTING ENGINEERS	STATE OF ILLINOIS DEPARTMENT OF TRANSPORTATION	SOUTH SIXTH STREET EXPANSION STUDY EXISTING / PROPOSED ROADWAY SECTION	F.A. RTE. SECTION	COUNTY	TOTAL SHEETS	SHEET NO.	
	PLOT SCALE = \$SCALE\$	CHECKED - IDOT				BL55	SANGAMON			
	PLOT DATE = \$DATE\$	DATE - 11/9/2011				CONTRACT NO.		ILLINOIS FED. AID PROJECT		
SCALE:						SHEET NO.	OF SHEETS	STA.	TO STA.	



**SOUTH SIXTH STREET
EXISTING / PROPOSED ROADWAY SECTION**
NORTH OF LINCOLNSHIRE BOULEVARD INTERSECTION
(LOOKING NORTH)

C-2

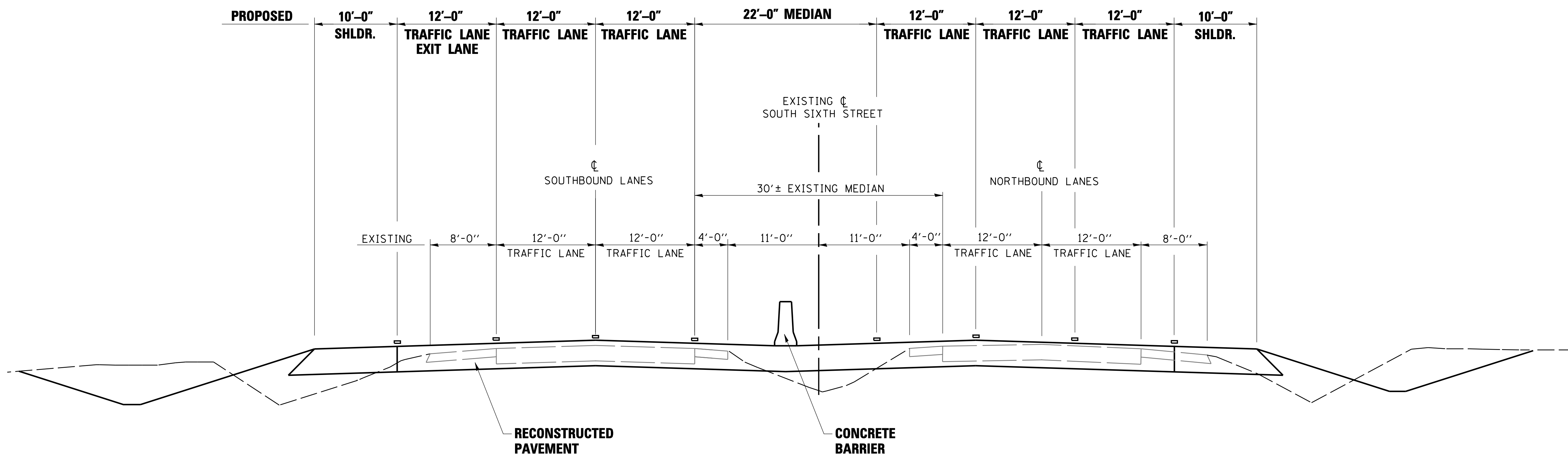
FILE NAME = \$FILEL\$	USER NAME = \$USER\$	DESIGNED - CMT DRAWN - CMT		STATE OF ILLINOIS DEPARTMENT OF TRANSPORTATION	SOUTH SIXTH STREET EXPANSION STUDY EXISTING / PROPOSED ROADWAY SECTION	F.A. RTE. SECTION COUNTY TOTAL SHEETS SHEET NO.		
	PLOT SCALE = \$SCALE\$	CHECKED - IDOT DATE - 11/9/2011				BL55	SANGAMON	CONTRACT NO.
	PLOT DATE = \$DATE\$					ILLINOIS FED. AID PROJECT		
SCALE: SHEET NO. OF SHEETS STA. TO STA.								



**SOUTH SIXTH STREET
EXISTING / PROPOSED ROADWAY SECTION**
SOUTH OF HAZEL DELL ROAD
(LOOKING NORTH)

D-1

FILE NAME = \$FILEL\$	USER NAME = \$USER\$	DESIGNED - CMT DRAWN - CMT CHECKED - IDOT DATE - 11/9/2011		STATE OF ILLINOIS DEPARTMENT OF TRANSPORTATION	SOUTH SIXTH STREET EXPANSION STUDY EXISTING / PROPOSED ROADWAY SECTION	F.A. RTE. BL55	SECTION	COUNTY SANGAMON	TOTAL SHEETS	SHEET NO.
						CONTRACT NO.		ILLINOIS FED. AID PROJECT		
PLOT SCALE = \$SCALE\$		SCALE:		SHEET NO. OF SHEETS STA. TO STA.						
PLOT DATE = \$DATE\$										



**SOUTH SIXTH STREET
EXISTING / PROPOSED ROADWAY SECTION**
SOUTH OF HAZEL DELL ROAD
(LOOKING NORTH)

D-2

FILE NAME = \$FILEL\$	USER NAME = \$USER\$	DESIGNED - CMT DRAWN - CMT	CMT CRAWFORD, MURPHY & TILLY, INC. CONSULTING ENGINEERS	STATE OF ILLINOIS DEPARTMENT OF TRANSPORTATION	SOUTH SIXTH STREET EXPANSION STUDY EXISTING / PROPOSED ROADWAY SECTION	F.A. RTE. BL55	SECTION	COUNTY SANGAMON	TOTAL SHEETS	SHEET NO.
PLOT SCALE = \$SCALE\$	CHECKED - IDOT	CONTRACT NO.				ILLINOIS FED. AID PROJECT				
PLOT DATE = \$DATE\$	DATE - 11/9/2011	SCALE:				SHEET NO. OF SHEETS	STA. TO STA.			